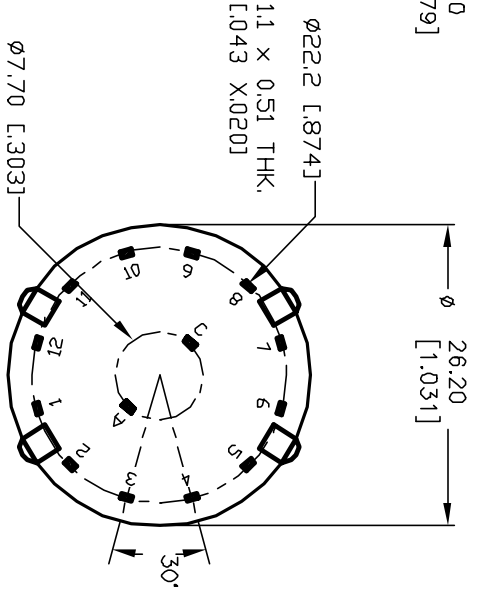
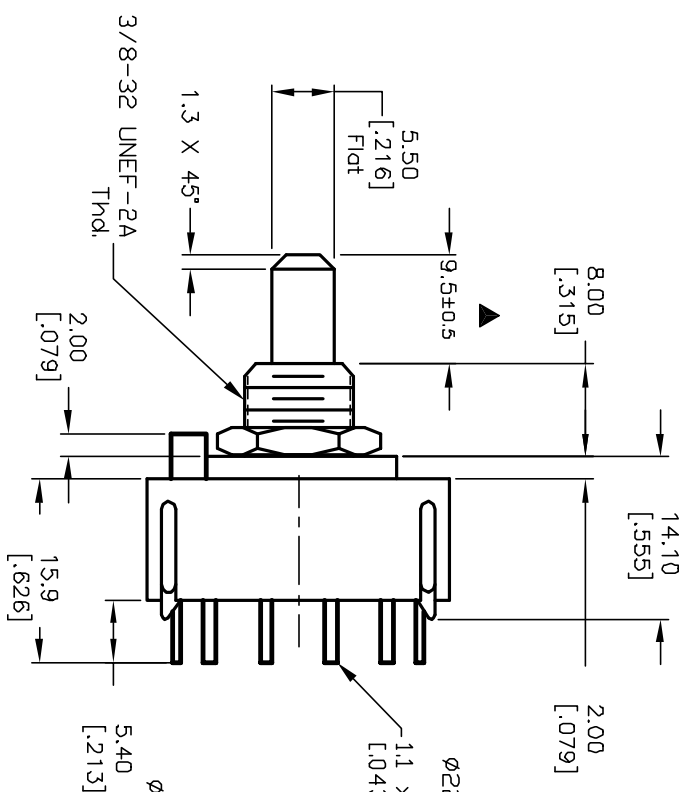
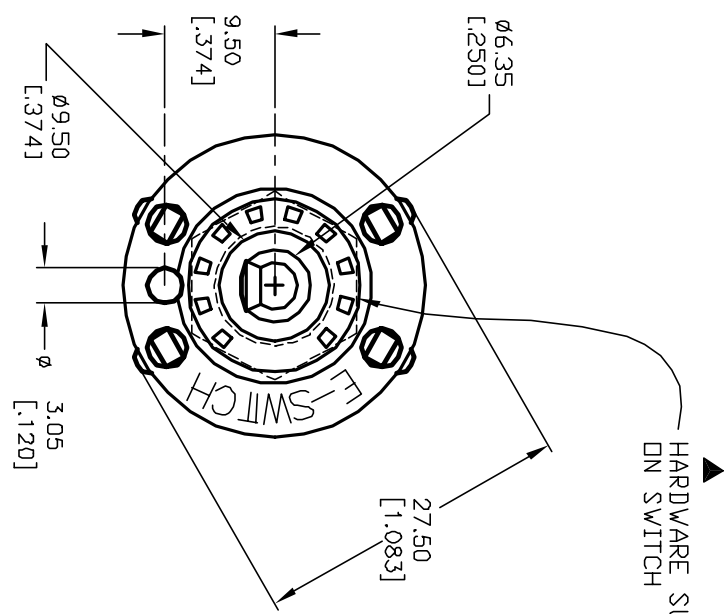
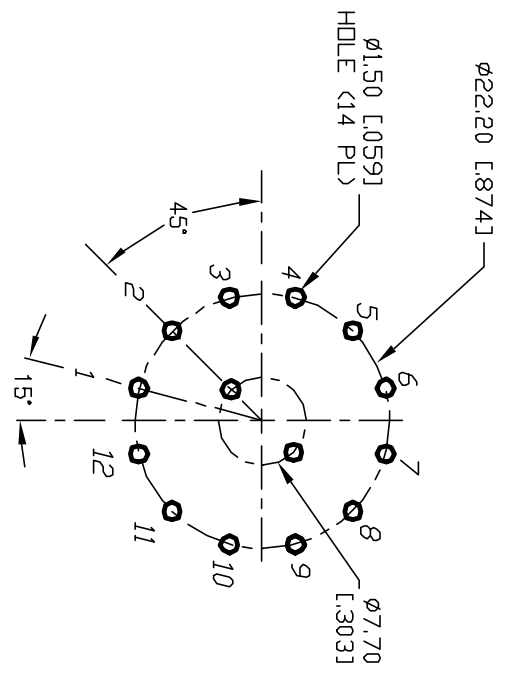
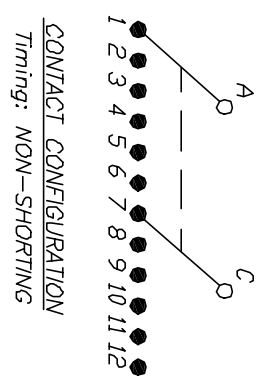


- NOTES:
1. ALL DIMENSION IN MM [INCH]
  2. GENERAL TOLERANCE: X.X=±0.4  
X.XX=±0.25
  3. TERM. NOS. FOR REF. ONLY
  4. CONTACT RATING SWITCHING: 150mA, 250V AC/DC  
350mA, 110V AC/DC
  5. CONTACT RATING (NON-SWITCHING) 5A
  6. OPERATING FORCE: 425±100 CM/STANDARD
  7. OPERATING TEMP: -30° to 85°C
  8. CIRCUIT DP: 6 POSITIONS, 30° INDEX.
  9. DIELECTRIC STRENGTH 1000V RMS min. @ SEA LEVEL
  10. DESIGNATE MAJOR DIMENSIONS
  11. HARDWARE SUPPLIED ON SWITCH - SEE BELOW  
STOPRING, LOCKWASHER, & HEXNUT



B		12821	REDRAWN	CJB	TITLE	KC-26-A (9.5mm)-01-N-P-S		
A		11252	RELEASED FOR PRODUCTION	RJC	SCALE	1.5:1		
REV.		ECN No.	DESCRIPTION	DATE	DATE	DR	DWG	REV
					2/26/01	RJC	G523730	B

THE INFORMATION CONTAINED IN THIS DOCUMENT IS PROPRIETARY TO E-SWITCH AND IS NOT TO BE COPIED OR TRANSFERRED

**E-SWITCH®**